



5-Gallon Pail Mixers

OWNERS MANUAL

Warranty

Our products are guaranteed against defective materials and workmanship, we will repair or replace such items as may prove defective at our option. Warranty period is one year on items manufactured by INDCO. On items not manufactured by INDCO, the manufactures warranty applies. All component parts of our products are covered by this warranty, except for normal wear items such as belts or impellers. We cannot be responsible for damage or abuse to equipment caused by improper installation or operation. Warranties can also be voided by unauthorized disassembly of equipment. For warranty repairs, equipment is returned to INDCO at the customer's expense; we will repair and return to customer at our expense. Under no circumstances will we allow labor charges or other expense to repair defective merchandise. This warranty is exclusive and is in lieu of all other warranties, whether express or implied. INDCO shall not be liable for any other damages, whether consequential, indirect, or incidental, arising from the sale or use of its products.



FGM Series

| Contents: | Page: |
|--------------------------------------|--------------|
| Safety, General & Receiving. | 2 |
| Operation | 3 |
| Parts List | 4 |



INDCO, Inc.
P.O. Box 589
New Albany, IN 47151
phone: 812-941-5954
fax: 812-944-9742
web: www.indco.com

Safety

Please read this complete manual before trying to operate your mixer. Failure to follow these instructions could result in serious bodily injury or death.

- Do not touch moving parts while mixer is operating. Do not wear loose-fitting clothes or jewelry around an operating mixer. Keep all hands, feet, clothes, neckties, necklaces and other objects clear of moving parts.
- Never run the unit in open air.

Electric Motor Safety:

Not all rotating parts are guarded. Keep hands and clothing away from moving parts.

Trained, qualified personnel should make electrical repairs and non-standard connections.

If environment has hazardous combustible fumes present, use only explosion-proof electric motors.

Air Motor Safety:

The air motor is designed to be driven by compressed air and under no circumstances be driven with any other gases. Fluids, particles, solids or any substance mixed with air, particularly combustible substances likely to cause explosions, must not drive air motor.

- Do not drive with flammable or explosive gases or operate unit in an atmosphere containing them.
- Air motor is designed for air only. Do not allow corrosive gases or particulate material to enter motor. Water vapor, oil-based contaminants, or other liquids must be filtered out.
- Do not use a hammer or force coupling or drive pulley onto shaft when installing drive onto air motor. This causes end thrust that could damage air motor.
- Ambient temperature should not exceed 250°F.
- Beware of any exposed and/or movable parts. Proper guards should be in place to prevent personal and/or property damage.
- Solid or liquid material exiting unit can cause eye or skin damage. Keep away from air stream.
- Always disconnect air supply before servicing.
- Do not allow air motor to “run free” at high speeds with no loads. Excessive internal heat build-up, loss of internal clearances and rapid motor damage will result.
- Some models may exceed 85dB(A) sound level. Hearing protection should be worn when in close proximity to these models.

General

The ring mount provides steady, worry-free mixing. Ideal for mixing colorants into paint, remixing settled material or blending powders into liquids. All models are supplied with 5/8” diameter stainless steel shafts equipped with “Quic-Change Couplers”, which eliminates the bother of fumbling with set-screws when changing or cleaning mixing shafts. Shafts twist on and off without tools. Fits 5-gallon pails with lids up to 12-1/4” outside diameter.

Standard Features:

- 5/8” diameter x 15” long shaft - 316 stainless steel.
- Quic-Change Coupler for easy shaft removal.
- 9” diameter, 2-blade Propellers - 319 aluminum.
- Electric models have cord, plug & switch.
- Air models have speed control valve & exhaust muffler.

Receiving

Before removing any packing, visually inspect the exterior of the shipment for any sign of damage. Should there be any damage, bring it to the attention of the delivering UPS or truck line and note the same on the receiving ticket. Should there be damage you must place a claim with the truck line.

They are the only ones who will pay for the damage done and you are the only one who can place that claim.

Operation

CAUTION:

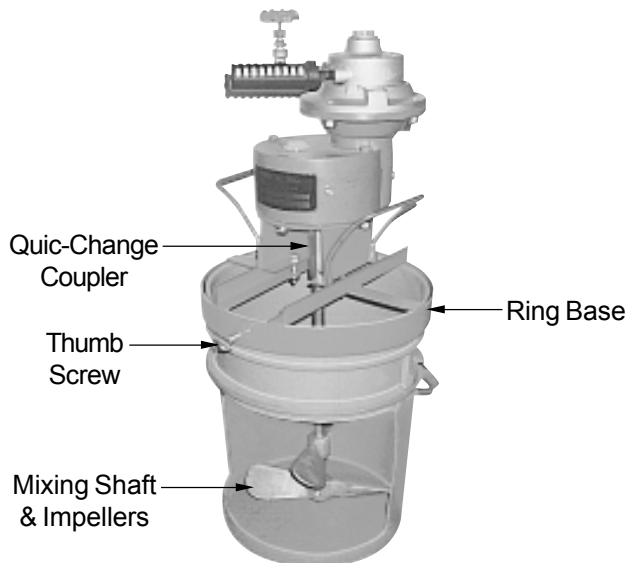
- ✓ **Never run the shaft~impeller in open air.**
- ✓ **Never run shaft~impeller outside the pail.**

Your new mixer requires some assembly. Ensure ALL set-screws and fasteners on the unit have been tightened completely before operating the equipment. The impeller(s) and impeller-shaft have to be fitted to the machine before it's operational.

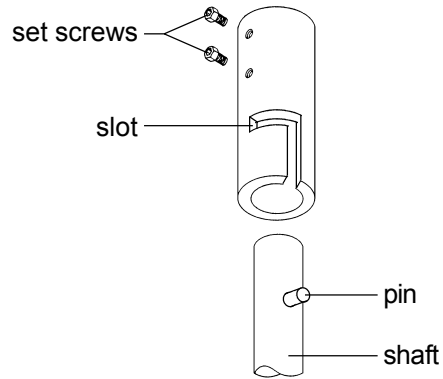
Shaft & Coupler

The FGM Series mixers have a Quic-Change Coupler that allows easy installation and removal of the Mixing Shaft.

A Pin is installed in the Mixing Shaft, which fits into a slot in the Quic-Change Coupler.



Quic-Change Coupler



Mounting

The FGM Series Mixer will work with open 5-gallon pails only.

1. Loosen Thumb Screw and place the unit on top of the pail with the Mixing Shaft and Impellers attached.
2. Make adjustments, if necessary, to the position by rotating the Ring Base on the pail.
3. Tighten Thumb Screw.
4. Check shaft rotation:

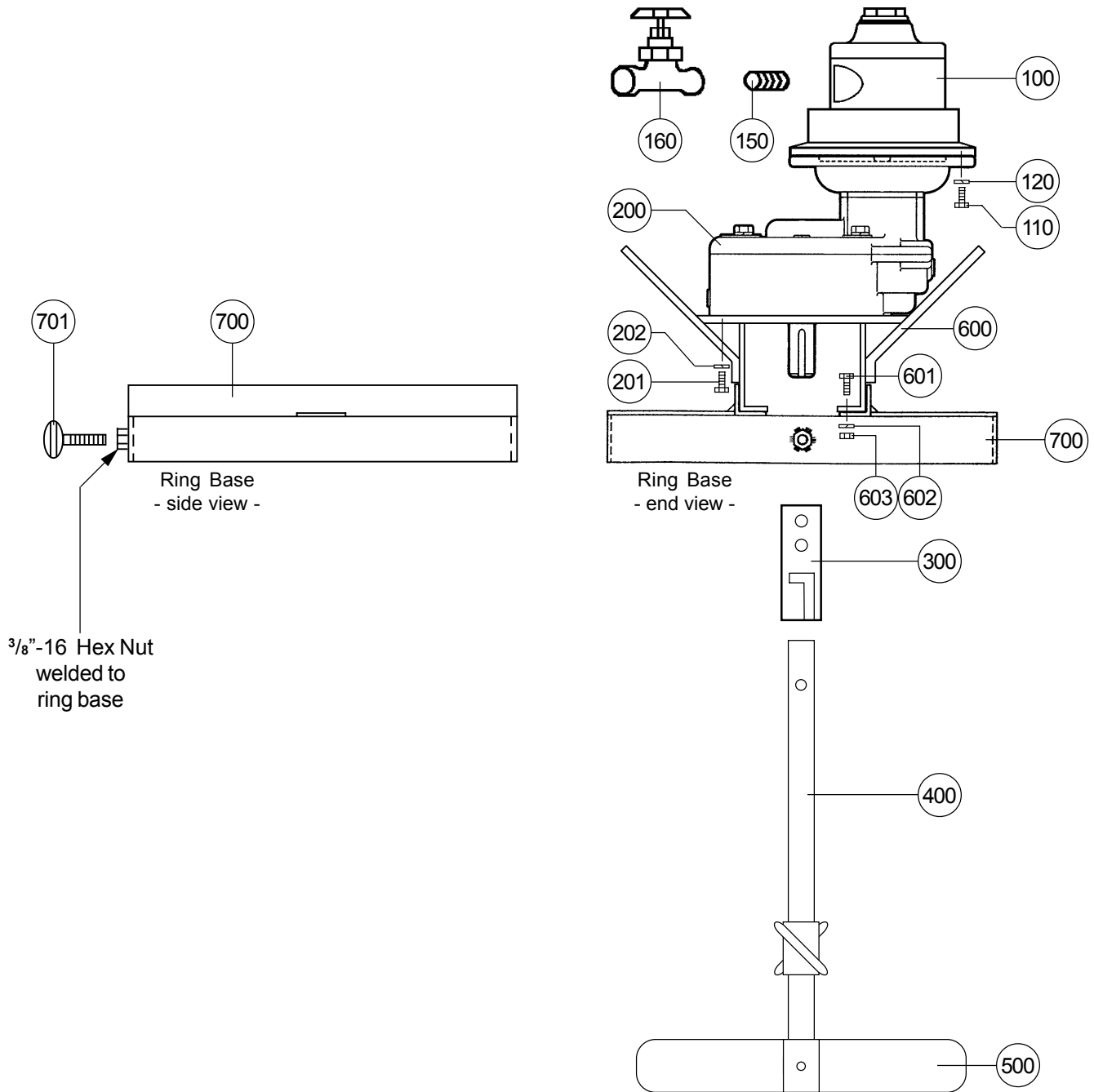
Electric Power: Check rotation to be sure the mixer shaft is rotating in a counter clock-wise direction, looking downward into the container.

Air Power: Ensure the air valve is in the closed position, then connect air supply. Check rotation to be sure the mixer shaft is rotating in a counter clock-wise direction, looking downward into the container.

5. Mixer is ready to operate.

Parts List

Air Motor Model Shown



Parts List (continued)

| Item | Qty. | Part No. | Description |
|---------------|------|--------------------|---|
| FGM-5T | | | |
| 100. | 1 | MTR-1/2-56C-1-TEFC | Electric Motor, 1/2-HP, 56C, 115-volt, 1-phase, TEFC |
| 110. | 4 | N-HARDWARE | Bolt, 3/8"-16 x 1" |
| 120. | 4 | N-HARDWARE | Lock washer, 3/8" |
| 130. | 1 | CPG-INLINE-18/3 | Power cord, plug & in-line switch |
| 200. | 1 | HDW-GB-56C | Gear Box, 5:1 ratio, 56C face in/out |
| 201. | 4 | N-HARDWARE | Bolt, 3/8"-16 x 1" |
| 202. | 4 | N-HARDWARE | Lock washer, 3/8" |
| 300. | 1 | C-DEV-C | Coupler, quic-change, 5/8" x 5/8" |
| 400. | 1 | C-DEV-S | Shaft, 15" long, 5/8" dia., with quic-change pin |
| 500. | 2 | AP958 | Propeller, 9" diameter w/ 5/8" bore, 2-blade - aluminum |
| 600. | 1 | MNT-FGM | Motor base with handles, 56C face mount |
| 601. | 2 | N-HARDWARE | Bolt, 5/16"-18 x 1" long |
| 602. | 2 | N-HARDWARE | Lockwasher, 5/16" |
| 603. | 2 | N-HARDWARE | Nut, 5/16" |
| 700. | 1 | HDW-RTM | Ring base |
| 701. | 1 | N-HARDWARE | Thumb screw, 3/8"-16 x 1-1/4" |
| FGM-7T | | | |
| 100. | 1 | MTR-3/4-56C-1-TEFC | Electric Motor, 3/4-HP, 56C, 115-volt, 1-phase, TEFC |
| 110. | 4 | N-HARDWARE | Bolt, 3/8"-16 x 1" |
| 120. | 4 | N-HARDWARE | Lock washer, 3/8" |
| 130. | 1 | CPG-14/3 | Power cord with plug |
| 140. | 1 | SWT-GUARD | Switch guard |
| 150. | 1 | SWT-TOGGLE | Switch (on-off) |
| 200. | 1 | HDW-GB-56C | Gear Box, 5:1 ratio, 56C face in/out |
| 201. | 4 | N-HARDWARE | Bolt, 3/8"-16 x 1" |
| 202. | 4 | N-HARDWARE | Lock washer, 3/8" |
| 300. | 1 | C-DEV-C | Coupler, quic-change, 5/8" x 5/8" |
| 400. | 1 | C-DEV-S | Shaft, 15" long, 5/8" dia., with quic-change pin |
| 500. | 3 | AP958 | Propeller, 9" diameter w/ 5/8" bore, 2-blade - aluminum |
| 600. | 1 | MNT-FGM | Motor base with handles, 56C face mount |
| 601. | 2 | N-HARDWARE | Bolt, 5/16"-18 x 1" long |
| 602. | 2 | N-HARDWARE | Lockwasher, 5/16" |
| 603. | 2 | N-HARDWARE | Nut, 5/16" |
| 700. | 1 | HDW-RTM | Ring base |
| 701. | 1 | N-HARDWARE | Thumb screw, 3/8"-16 x 1-1/4" |
| FGM-1T | | | |
| 100. | 1 | MTR-1-56C-1-TEFC | Electric Motor, 1 HP, 56C, 115-volt, 1-phase, TEFC |
| 110. | 4 | N-HARDWARE | Bolt, 3/8"-16 x 1" |
| 120. | 4 | N-HARDWARE | Lock washer, 3/8" |
| 130. | 1 | CPG-14/3 | Power cord with plug |
| 140. | 1 | SWT-GUARD | Switch guard |
| 150. | 1 | SWT-TOGGLE | Switch (on-off) |
| 200. | 1 | HDW-GB-56C | Gear Box, 5:1 ratio, 56C face in/out |
| 201. | 4 | N-HARDWARE | Bolt, 3/8"-16 x 1" |
| 202. | 4 | N-HARDWARE | Lock washer, 3/8" |
| 300. | 1 | C-DEV-C | Coupler, quic-change, 5/8" x 5/8" |
| 400. | 1 | C-DEV-S | Shaft, 15" long, 5/8" dia., with quic-change pin |
| 500. | 3 | AP958 | Propeller, 9" diameter w/ 5/8" bore, 2-blade - aluminum |
| 600. | 1 | MNT-FGM | Motor base with handles, 56C face mount |
| 601. | 2 | N-HARDWARE | Bolt, 5/16"-18 x 1" long |
| 602. | 2 | N-HARDWARE | Lockwasher, 5/16" |
| 603. | 2 | N-HARDWARE | Nut, 5/16" |
| 700. | 1 | HDW-RTM | Ring base |
| 701. | 1 | N-HARDWARE | Thumb screw, 3/8"-16 x 1-1/4" |
| FGM-5V | | | |
| 100. | 1 | MTR-098000 | Electric Motor, DC Variable-Speed, 1/2 HP, 56C, TEFC |
| 101. | 1 | MTR-DC-CONTROL | Variable-Speed controller, 115-volt, 1-phase input |
| 102. | 2 | MET-VSO-BRACKET | Mounting brackets, controller to electric motor |
| 110. | 4 | N-HARDWARE | Bolt, 3/8"-16 x 1" |
| 120. | 4 | N-HARDWARE | Lock washer, 3/8" |
| 130. | 1 | CPG-18/3 | Power cord with plug |
| 200. | 1 | HDW-GB-56C | Gear Box, 5:1 ratio, 56C face in/out |
| 201. | 4 | N-HARDWARE | Bolt, 3/8"-16 x 1" |
| 202. | 4 | N-HARDWARE | Lock washer, 3/8" |
| 300. | 1 | C-DEV-C | Coupler, quic-change, 5/8" x 5/8" |
| 400. | 1 | C-DEV-S | Shaft, 15" long, 5/8" dia., with quic-change pin |
| 500. | 2 | AP958 | Propeller, 9" diameter w/ 5/8" bore, 2-blade - aluminum |
| 600. | 1 | MNT-FGM | Motor base with handles, 56C face mount |
| 601. | 2 | N-HARDWARE | Bolt, 5/16"-18 x 1" long |
| 602. | 2 | N-HARDWARE | Lockwasher, 5/16" |
| 603. | 2 | N-HARDWARE | Nut, 5/16" |
| 700. | 1 | HDW-RTM | Ring base |
| 701. | 1 | N-HARDWARE | Thumb screw, 3/8"-16 x 1-1/4" |

Parts List (continued)

| Item | Qty. | Part No. | Description |
|---------------|------|-----------------|---|
| FGM-7V | | | |
| 100. | 1 | MTR-108018 | Electric Motor, DC Variable-Speed, 3/4-HP, 56C, TEFC |
| 101. | 1 | MTR-DC-CONTROL | Variable-Speed controller, 115-volt, 1-phase input |
| 102. | 2 | MET-VSO-BRACKET | Mounting brackets, controller to electric motor |
| 110. | 4 | N-HARDWARE | Bolt, 3/8"-16 x 1" |
| 120. | 4 | N-HARDWARE | Lock washer, 3/8" |
| 130. | 1 | CPG-14/3 | Power cord with plug |
| 200. | 1 | HDW-GB-56C | Gear Box, 5:1 ratio, 56C face in/out |
| 201. | 4 | N-HARDWARE | Bolt, 3/8"-16 x 1" |
| 202. | 4 | N-HARDWARE | Lock washer, 3/8" |
| 300. | 1 | C-DEV-C | Coupler, quic-change, 5/8" x 5/8" |
| 400. | 1 | C-DEV-S | Shaft, 15" long, 5/8" dia., with quic-change pin |
| 500. | 3 | AP958 | Propeller, 9" diameter w/ 5/8" bore, 2-blade - aluminum |
| 600. | 1 | MNT-FGM | Motor base with handles, 56C face mount |
| 601. | 2 | N-HARDWARE | Bolt, 5/16"-18 x 1" long |
| 602. | 2 | N-HARDWARE | Lockwasher, 5/16" |
| 603. | 2 | N-HARDWARE | Nut, 5/16" |
| 700. | 1 | HDW-RTM | Ring base |
| 701. | 1 | N-HARDWARE | Thumb screw, 3/8"-16 x 1-1/4" |
| FGM-1V | | | |
| 100. | 1 | MTR-108022 | Electric Motor, DC Variable-Speed, 1 HP, 56C, TEFC |
| 101. | 1 | MTR-DC-CONTROL | Variable-Speed controller, 115-volt, 1-phase input |
| 102. | 2 | MET-VSO-BRACKET | Mounting brackets, controller to electric motor |
| 110. | 4 | N-HARDWARE | Bolt, 3/8"-16 x 1" |
| 120. | 4 | N-HARDWARE | Lock washer, 3/8" |
| 130. | 1 | CPG-14/3 | Power cord with plug |
| 200. | 1 | HDW-GB-56C | Gear Box, 5:1 ratio, 56C face in/out |
| 201. | 4 | N-HARDWARE | Bolt, 3/8"-16 x 1" |
| 202. | 4 | N-HARDWARE | Lock washer, 3/8" |
| 300. | 1 | C-DEV-C | Coupler, quic-change, 5/8" x 5/8" |
| 400. | 1 | C-DEV-S | Shaft, 15" long, 5/8" dia., with quic-change pin |
| 500. | 3 | AP958 | Propeller, 9" diameter w/ 5/8" bore, 2-blade - aluminum |
| 600. | 1 | MNT-FGM | Motor base with handles, 56C face mount |
| 601. | 2 | N-HARDWARE | Bolt, 5/16"-18 x 1" long |
| 602. | 2 | N-HARDWARE | Lockwasher, 5/16" |
| 603. | 2 | N-HARDWARE | Nut, 5/16" |
| 700. | 1 | HDW-RTM | Ring base |
| 701. | 1 | N-HARDWARE | Thumb screw, 3/8"-16 x 1-1/4" |
| FGM-5A | | | |
| 100. | 1 | MTR-3/4-56C-AIR | Air Motor, 3/4-HP, 56C |
| 110. | 1 | N-HARDWARE | Bolt, 3/8"-16 x 1" |
| 120. | 1 | N-HARDWARE | Lock washer, 3/8" |
| 150. | 1 | HDW-25-CNG | Pipe nipple, steel - 1/4" x 7/8" |
| 160. | 1 | HDW-1/4-VALVE | Needle valve, brass, 1/4" |
| 200. | 1 | HDW-GB-56C | Gear Box, 5:1 ratio, 56C face in/out |
| 201. | 4 | N-HARDWARE | Bolt, 3/8"-16 x 1" |
| 202. | 4 | N-HARDWARE | Lock washer, 3/8" |
| 300. | 1 | C-DEV-C | Coupler, quic-change, 5/8" x 5/8" |
| 400. | 1 | C-DEV-S | Shaft, 15" long, 5/8" dia., with quic-change pin |
| 500. | 2 | AP958 | Propeller, 9" diameter w/ 5/8" bore, 2-blade - aluminum |
| 600. | 1 | MNT-FGM | Motor base with handles, 56C face mount |
| 601. | 2 | N-HARDWARE | Bolt, 5/16"-18 x 1" long |
| 602. | 2 | N-HARDWARE | Lockwasher, 5/16" |
| 603. | 2 | N-HARDWARE | Nut, 5/16" |
| 700. | 1 | HDW-RTM | Ring base |
| 701. | 1 | N-HARDWARE | Thumb screw, 3/8"-16 x 1-1/4" |
| FGM-1A | | | |
| 100. | 1 | MTR-1.5-56C-AIR | Air Motor, 1.5-HP, 56C |
| 110. | 1 | N-HARDWARE | Bolt, 3/8"-16 x 1" |
| 120. | 1 | N-HARDWARE | Lock washer, 3/8" |
| 150. | 1 | HDW-25-CNG | Pipe nipple, steel - 1/4" x 7/8" |
| 160. | 1 | HDW-1/4-VALVE | Needle valve, brass, 1/4" |
| 200. | 1 | HDW-GB-56C | Gear Box, 5:1 ratio, 56C face in/out |
| 201. | 4 | N-HARDWARE | Bolt, 3/8"-16 x 1" |
| 202. | 4 | N-HARDWARE | Lock washer, 3/8" |
| 300. | 1 | C-DEV-C | Coupler, quic-change, 5/8" x 5/8" |
| 400. | 1 | C-DEV-S | Shaft, 15" long, 5/8" dia., with quic-change pin |
| 500. | 3 | AP958 | Propeller, 9" diameter w/ 5/8" bore, 2-blade - aluminum |
| 600. | 1 | MNT-FGM | Motor base with handles, 56C face mount |
| 601. | 2 | N-HARDWARE | Bolt, 5/16"-18 x 1" long |
| 602. | 2 | N-HARDWARE | Lockwasher, 5/16" |
| 603. | 2 | N-HARDWARE | Nut, 5/16" |
| 700. | 1 | HDW-RTM | Ring base |
| 701. | 1 | N-HARDWARE | Thumb screw, 3/8"-16 x 1-1/4" |